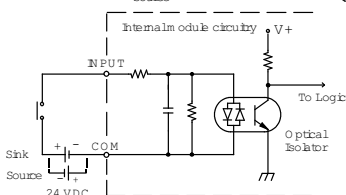
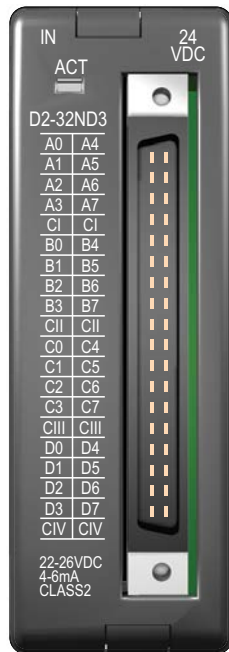
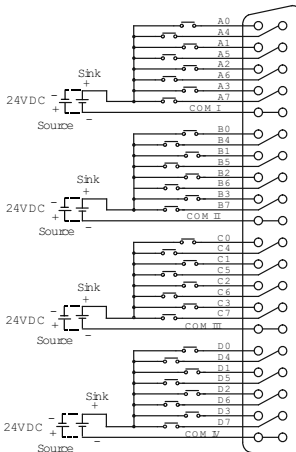
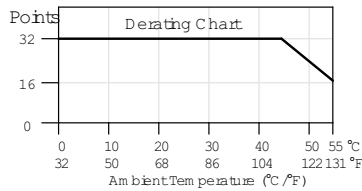


DC Input Modules

D2-32ND3 DC Input \$190.00	
Inputs per Module	32 (sink/source)
Commons per Module	4 isolated (8 I/O terminal points / com)
Input Voltage Range	20-28 VDC
Peak Voltage	30VDC
ON Voltage Level	19VDC minimum
OFF Voltage Level	7VDC maximum
AC Frequency	N/A
Input Impedance	4.8 kΩ
Input Current	8.0 mA @ 24VDC
Minimum ON Current	3.5 mA
Maximum OFF Current	1.5 mA
Base Power Required 5VDC	25mA
OFF to ON Response	3 to 9 ms
ON to OFF Response	3 to 9 ms
Terminal Type (not included)	40-pin Connector ¹
Status Indicator	Module Activity LED
Weight	2.1 oz. (60g)

¹ Connector sold separately.
See Terminal Blocks and Wiring for wiring options.

See Wiring Solutions for part numbers of ZIPLink cables and connection modules compatible with this I/O module.

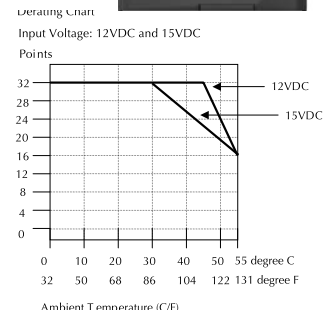
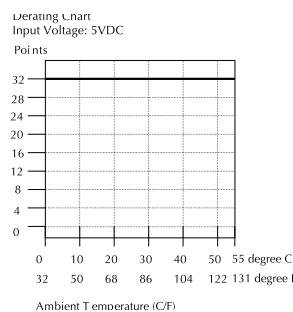
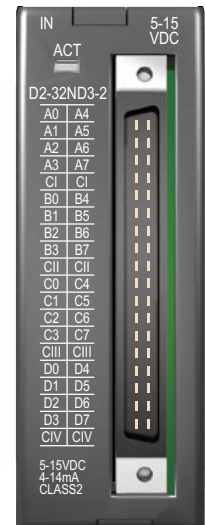
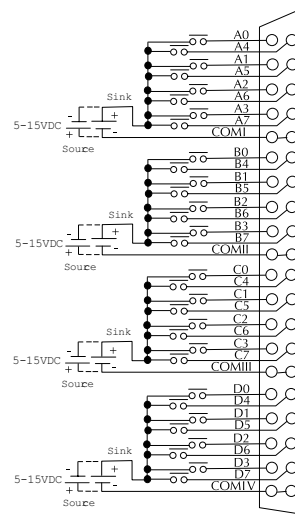


For "Sinking and Sourcing Concepts", see the Appendix section.

D2-32ND3-2 DC Input \$190.00	
Inputs per Module	32 (Sink/Source)
Commons per Module	4 isolated (8 I/O terminal points / com)
Input Voltage Range	4.50 to 15.6 VDC min. to max.
Peak Voltage	16VDC
ON Voltage Level	4VDC minimum
OFF Voltage Level	2VDC maximum
AC Frequency	N/A
Input Impedance	1.0 kΩ @ 5-15 VDC
Input Current	4mA @ 5VDC 11mA @ 12VDC 14mA @ 15VDC
Maximum Input Current	16mA @ 15.6 VDC
Minimum ON Current	3mA
Maximum OFF Current	0.5 mA
Base Power Required 5VDC	25mA
OFF to ON Response	3 to 9 ms
ON to OFF Response	3 to 9 ms
Terminal Type (not included)	40-pin connector ¹
Status Indicator	Module activity LED
Weight	2.1 oz (60g)

¹ Connector sold separately.
See Terminal Blocks and Wiring for wiring options.

See Wiring Solutions for part numbers of ZIPLink cables and connection modules compatible with this I/O module.



For "Sinking and Sourcing Concepts" see the Appendix section.

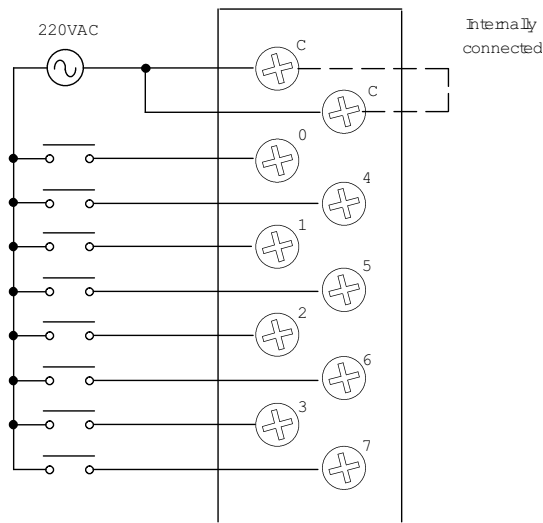
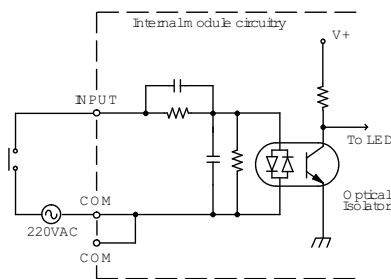
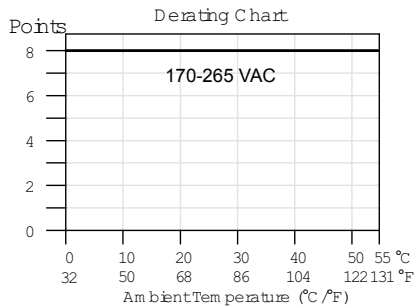
AC Input Modules

D2-08NA-2 AC Input \$148.00	
Inputs per Module	8
Commons per Module	1 (2 I/O terminal points)
Input Voltage Range	170-265 VAC
Peak Voltage	265VAC
ON Voltage Level	150VAC minimum
OFF Voltage Level	40VAC maximum
AC Frequency	47-63 Hz
Input Impedance	18kΩ @ 60Hz
Input Current	9mA @ 220VAC, 50Hz 11mA @ 265VAC, 50Hz 10mA @ 220VAC, 60Hz 12mA @ 265VAC, 60Hz
Minimum ON Current	10mA
Maximum OFF Current	2mA
Base Power Required 5VDC	100mA
OFF to ON Response	5 to 30 ms
ON to OFF Response	10 to 50 ms
Terminal Type (included)	Removable; D2-8IOCON
Status Indicator	Logic side
Weight	2.5 oz. (70g)

Operating Temperature	32°F to 131°F (0° to 55°C)
Storage Temperature	-4°F to 158°F (-20°C to 70°C)
Humidity	35% to 95% (non-condensing)
Atmosphere	No corrosive gases permitted
Vibration	MIL STD 810C 514.2
Shock	MIL STD 810C 516.2
Insulation Withstand Voltage	1,500VAC 1 minute (COM-GND)
Insulation Resistance	10M ≈ @ 500VDC
Noise Immunity	NEMA 1,500V 1 minute SANKI 1,000V 1 minute
RFI	150MHz, 430MHz

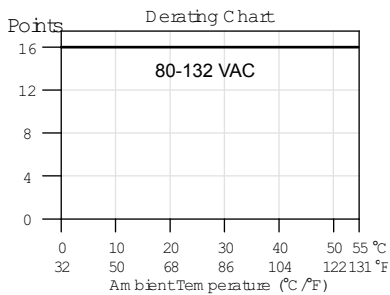


See Wiring Solutions for part numbers of **ZIPLink** cables and connection modules compatible with this I/O module.



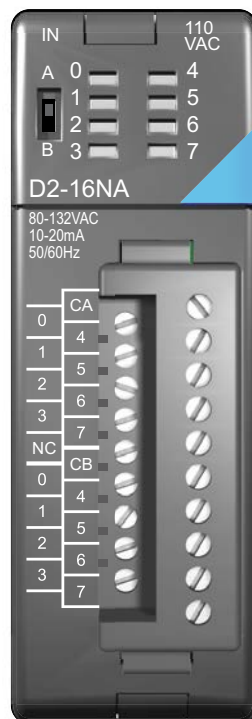
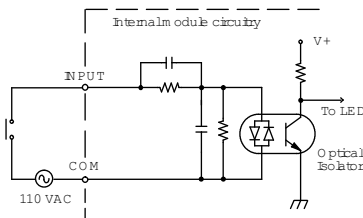
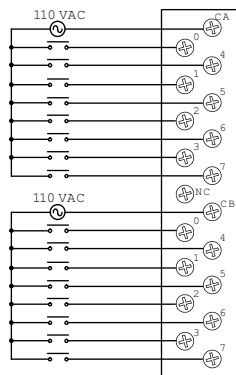
AC Input Modules

D2-16NA AC Input \$204.00	
Inputs per Module	16
Commons per Module	2 (isolated)
Input Voltage Range	80-132 VAC
Peak Voltage	132VAC
ON Voltage Level	70VAC minimum
OFF Voltage Level	20VAC maximum
AC Frequency	47-63 Hz
Input Impedance	12 kΩ @ 60 Hz
Input Current	11mA @ 100VAC, 50Hz 13mA @ 100VAC, 60Hz 15mA @ 132VAC, 60Hz
Minimum ON Current	5mA
Maximum OFF Current	2mA
Base Power Required 5VDC	100mA
OFF to ON Response	5 to 30 ms
ON to OFF Response	10 to 50 ms
Terminal Type (included)	Removable; D2-16IOCON
Status Indicator	Logic side
Weight	2.4 oz. (68g)



See Wiring Solutions for part numbers of ZIPLink cables and connection modules compatible with this I/O module.

Note: When used with the ZIPLink wiring system, relay outputs are derated not to exceed 2 Amps per point max.



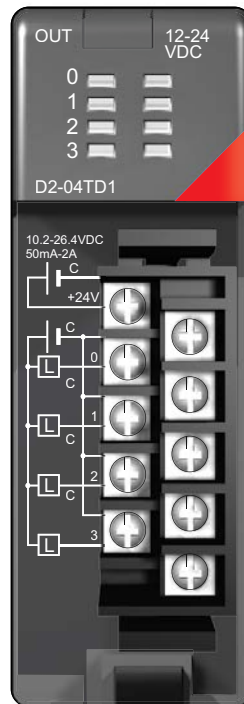
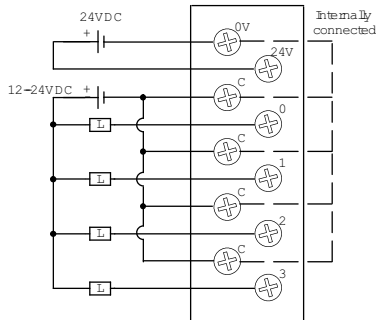
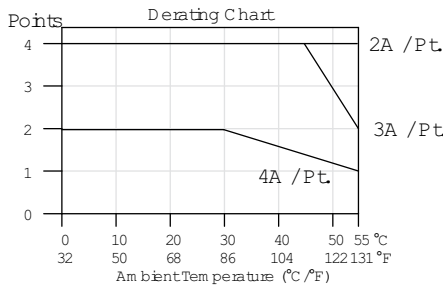
DC Output Modules

D2-04TD1 DC Output \$103.00	
Outputs per Module	4 (current sinking)
Output Points Consumed	8 points (only first 4 pts. used)
Commons per Module	1 (4 I/O terminal points)
Output Type	NMOS FET (open drain)
Operating Voltage	10.2-26.4 VDC
Peak Voltage	40VDC
ON Voltage Drop	0.72 VDC maximum
AC Frequency	N/A
Max Load Current (resistive)	4A/point 8A/common
Max Leakage Current	0.1 mA @ 40VDC
Max Inrush Current	6A for 100ms, 15A for 10ms
Minimum Load Current	50mA

External DC Required	24VDC @ 20mA max.
Base Power Required 5VDC	60mA
OFF to ON Response	1ms
ON to OFF Response	1ms
Terminal Type (included)	Removable; D2-8IOCON
Status Indicator	Logic side
Weight	2.8 oz. (80g)
Fuses	4 (1 per point) (6.3 A slow blow, non-replaceable)



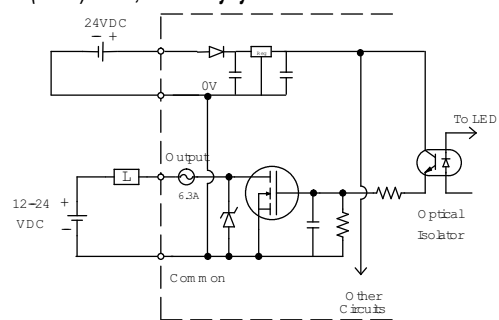
See Wiring Solutions for part numbers of ZIPLink cables and connection modules compatible with this I/O module.



Inductive Load
Maximum Number of Switching Cycles per Minute

Load Current	Duration of output in ON state		
	7m s	40m s	100m s
0.1A	8000	1400	600
0.5A	1600	300	120
1.0A	800	140	60
1.5A	540	90	35
2.0A	400	70	—
3.0A	270	—	—
4.0A	200	—	—

At 40ms duration, loads of 3.0 A or greater cannot be used.
 At 100ms duration, loads of 2.0 A or greater cannot be used.
 Find the load current you expect to use and the duration that the output is ON. The number at the intersection of the row and column represents the switching cycles per minute. For example, a 1A inductive load that is on for 100ms can be switched on and off a maximum of 60 times per minute. To convert this to duty cycle percentage use: (duration x cycles)/60. In this example, (60 x .1)/60 = .1, or 10% duty cycle.





Power Requirements

These charts help determine your power requirements

This section shows the amount of power supplied by each of the base power supplies and the amount of power consumed by each DL205 device. The Power Consumed charts list how much INTERNAL power from each power source is required for the DL205 devices. Use this information when calculating the power budget for your system.

In addition to the internal power sources, the DL205 bases offer a 24 VDC auxiliary power supply with external power connections. This auxiliary power supply can power external devices.

Use ZIPLinks to reduce power requirements

If your application requires a lot of relay outputs, consider using the ZIPLink AC or DC relay output modules. These modules can switch high current (10A) loads without putting a load on your base power budget. Refer to the Terminal Blocks and Wiring Solutions section in this catalog for more information.

This logo is placed next to the I/O modules that are supported by the ZIPLink connection systems. See the I/O module specifications at the end of this section.



Power Consumed		
Device	5V(mA)	24V Auxiliary
Operator Interface		
C-more Micro-Graphic	210	0

Power Supplied			
Device	Price	5V(mA)	24V Auxiliary
Bases			
D2-03B-1	\$200.00	2600	300
D2-03BDC1-1	\$249.00	2600	None
D2-04B-1	\$217.00	2600	300
D2-04BDC1-1	\$274.00	2600	None
D2-06B-1	\$268.00	2600	300

Power Consumed		
Device	5V(mA)	24V Auxiliary
CPUs		
D2-262	336	0
DC Input Modules		
D2-08ND3	50	0
D2-16ND3-2	100	0
D2-32ND3	25	0
D2-32ND3-2	25	0
AC Input Modules		
D2-08NA-1	50	0
D2-08NA-2	100	0
D2-16NA	100	0
Input Simulator Module		
F2-08SIM	50	0
DC Output Modules		
D2-04TD1	60	20
D2-08TD1	100	0
D2-08TD2	100	0
D2-16TD1-2	200	80
D2-16TD2-2	200	0
F2-16TD1P	70	50
F2-16TD2P	70	50
D2-32TD1	350	0
D2-32TD2	350	0
AC Output Modules		
D2-08TA	250	0
F2-08TA	250	0
D2-12TA	350	0
Relay Output Modules		
D2-04TRS	250	0
D2-08TR	250	0
F2-08TR(S)	670	0
D2-12TR	450	0
Combination In/Out Module		
D2-08CDR	200	0

Power Supplied			
Device	Price	5V(mA)	24V Auxiliary
Bases			
D2-06BDC1-1	\$304.00	2600	None
D2-06BDC2-1	\$279.00	2600	300
D2-09B-1	\$333.00	2600	300
D2-09BDC1-1	\$360.00	2600	None
D2-09BDC2-1	\$359.00	2600	300

Power Consumed		
Device	5V(mA)	24V Auxiliary
Analog Modules		
F2-04AD-1	100	5
F2-04AD-2	110	5
F2-08AD-1	100	5
F2-08AD-2	100	5
F2-02DA-1	40	60 (note 1)
F2-02DA-2	40	60
F2-02DAS-1	100	50 / channel
F2-02DAS-2	100	60 / channel
F2-08DA-1	30	50 (note 1)
F2-08DA-2	60	140
F2-4AD2DA	60	80 (note 1)
F2-8AD4DA-1	35	100 (note 1)
F2-8AD4DA-2	35	80 (note 1)
F2-04RTD	90	0
F2-04THM	110	60
Specialty Modules		
D2-CTRINT	50*	0
D2-CM / D2-EM	100/130	0
H2-CTRIO2	275	0
D2-DCM	300	0
H2-EBC100	300	0
H2-ECOM100	300	0
F2-CP128	235	0
Remote I/O		
H2-ERM100, (-F)	300, (-F: 450)	0
Programming Devices		
D2-HPP	200	0

* Requires external 5VDC for outputs

Note 1: Add an additional 20 mA per output loop.